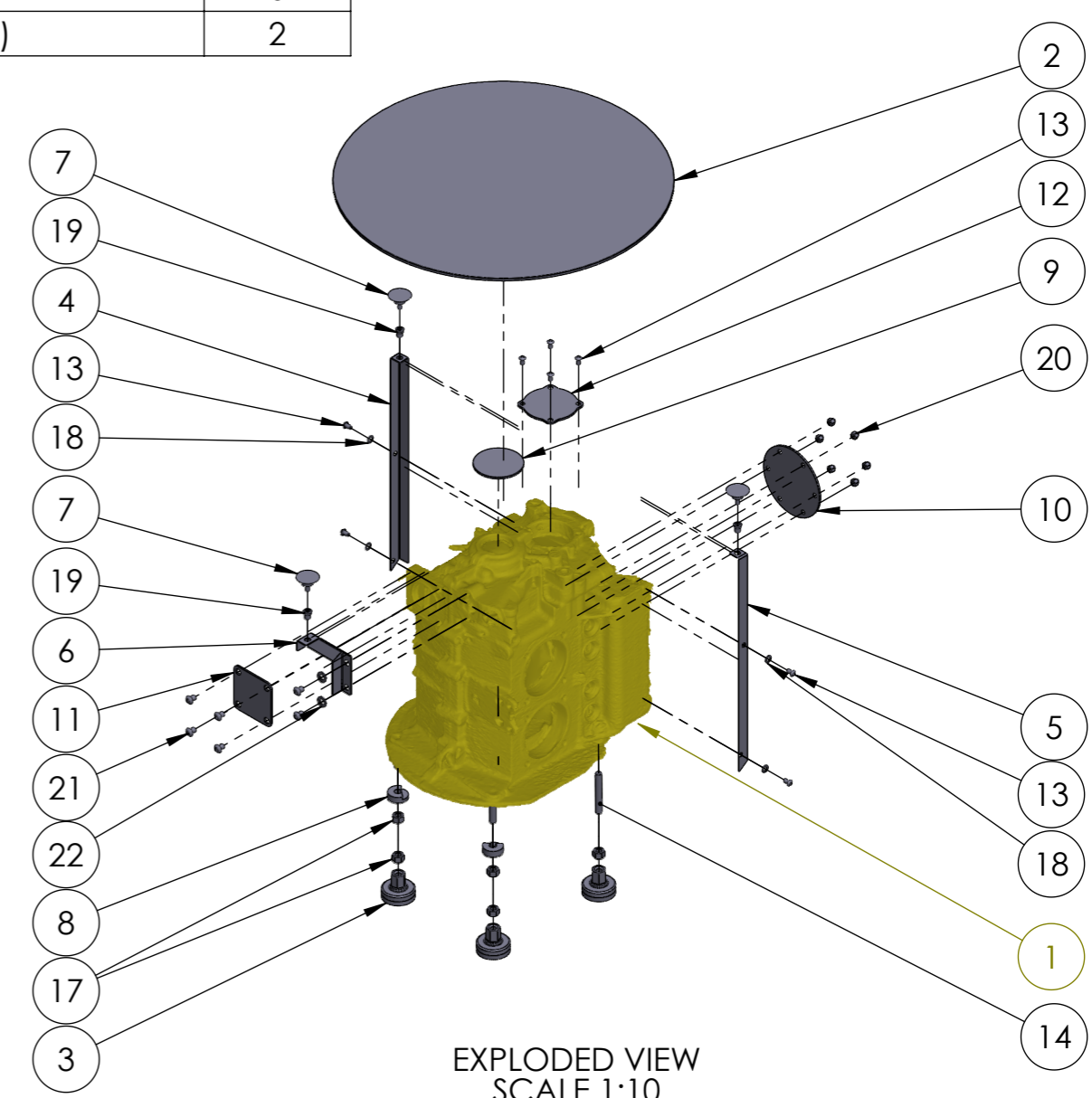
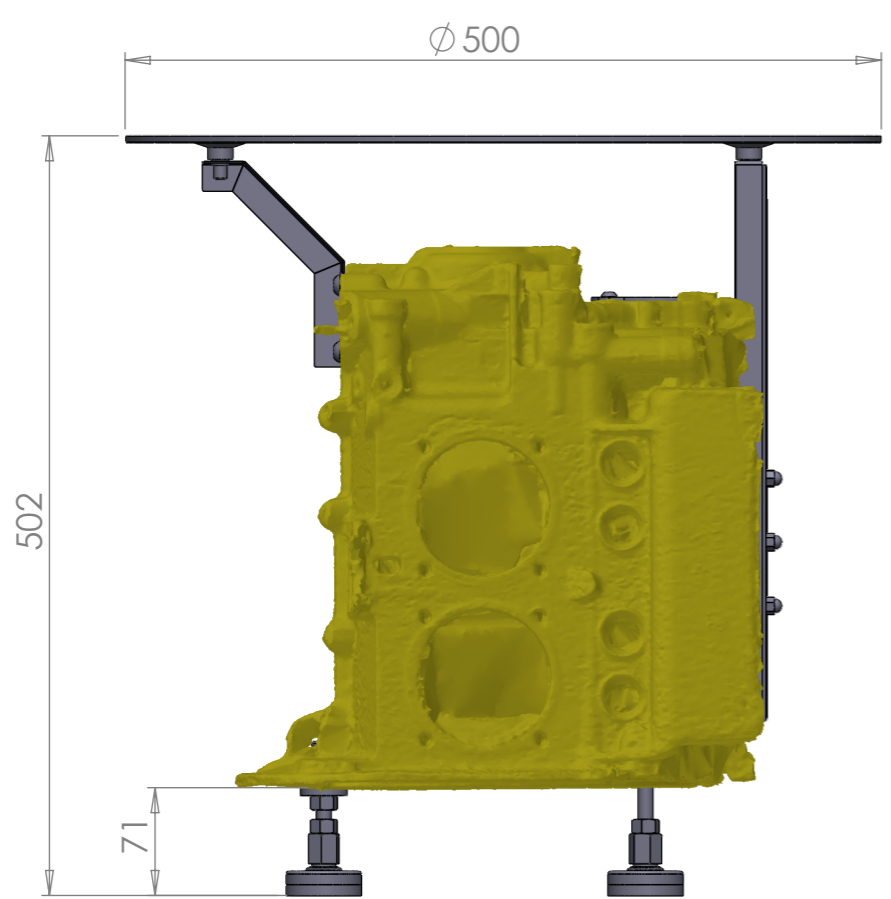


ITEM NO.	PART NUMBER	QTY.	ITEM NO.	PART NUMBER	QTY.
1	VW BEETLE CRANK CASE	1	12	CRANK_CASE_OIL_PUMP_COVER	1
2	TABLE TOP-ROUND-500MM	1	13	BOLT-BTN HEAD-M6 x 10	8
3	LEVELING FEET-FEMALE-M10	4	14	STUD-M10 x 70	2
4	TABLE TOP SUPPORT RIGHT	1	15	BOLT-HEX SKT-M10 x 60	2
5	TABLE TOP SUPPORT LEFT	1	16	WASHER-PLAIN-M10 (Form A)	2
6	TABLE TOP SUPPORT MITRED	1	17	NUT-PLAIN-M10	6
7	SUCTION CUP-MALE-M6X14	3	18	WASHER-PLAIN-M6 (Form B)	4
8	SPACER_CASE_MTG_FOOT	2	19	NUTSERT-M6-ROUND	3
9	CRANK_CASE_END_SEAL_PLATE	1	20	NUT-DOMED-M6	6
10	CRANK_CASE_OIL_DRAIN_PLATE	1	21	BOLT-BTN HEAD-M8 x 10	6
11	CRANK_CASE_OIL_FILLER_PLATE	1	22	WASHER-PLAIN-M8 (Form A)	2



A		09/01/2025	DJB			GENERAL DIMENSIONAL TOLS. X±0.5 X.X±0.25 X.XX±0.1	MATERIAL VARIOUS	FINISH VARIOUS		
REV	MODIFICATION	DATE	DR'N	CH'D	AP'D	ANGULAR DIMENSION ±1.0° UNLESS OTHERWISE STATED	TITLE VW BEETLE CRANK CASE TABLE ASSY			
MACHINING SHOWN THUS <input checked="" type="checkbox"/>						REMOVE ALL BURRS & SHARP EDGES	SIZE A3	SCALE 1:10	SHT 1 OF 1	PART NUMBER prd-DJB-00000612



Daniel-Barker.com